



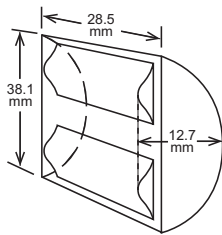
HOSHIZAKI

KM-140B

Crescent EDGE Ice Make (Self Contained)

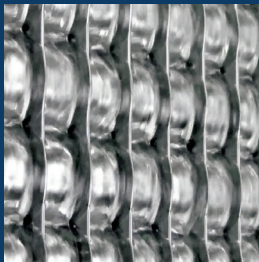


Production Capacity	Up to 138 kg/24h*
Storage Bin Capacity	Up to 55 kg
Outside Dimensions W x D x H	762 x 712 x 992 mm (Legs add 152 mm)
Electrical Supply	220-240V, 50 Hz 220-240V, 60 Hz
Electrical Capacity	50 Hz: 0,632 kW 60 Hz: 0,680 kW
Weight Gross / Net	92/70 kg
Condenser	Air-Cooled
Refrigerant	R404A - CO ₂ eq:1333 kg
Type of Ice	Crescent EDGE
Air Filter	Removable air filter



*Air Temperature 10°C / Water Temperature 10°C. Based on 50 Hz air cooled model.

Double sided ice making system with stainless steel for better longevity and hygiene



Versatile usage for drinks, display, bottle cooling and more



Audible alert when the machine is in need of service with the EverCheck™ control board



Subject to technical alterations

Hoshizaki Europe B.V.
Headquarters Export EMEA
Burgemeester Stramanweg 101
1101 AA Amsterdam
The Netherlands

sales@hoshizaki.nl
Tel. +31 (0)20 6918499

Please visit our website for further information:
www.hoshizaki-europe.com



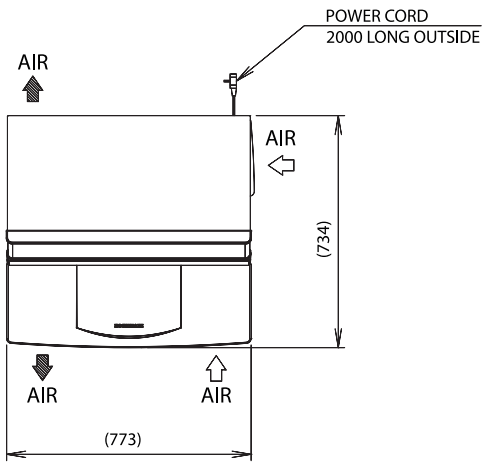


HOSHIZAKI

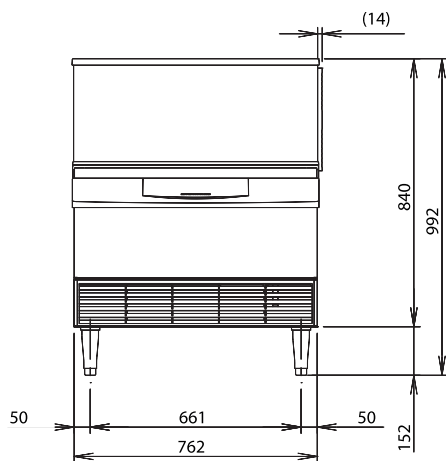
KM-140B

Technical Drawings

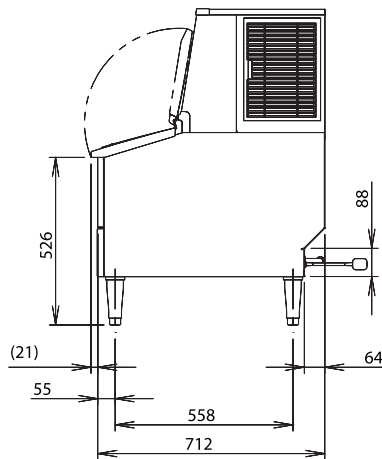
Top View



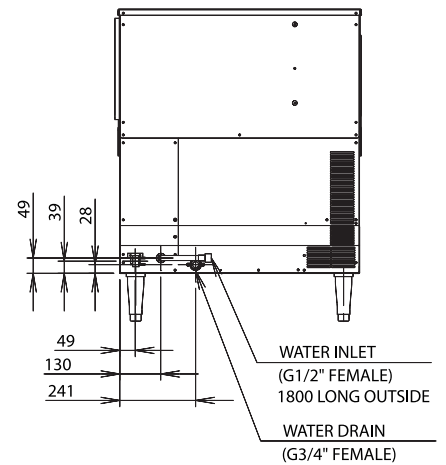
Front View



Side View



Rear View



Specifications: mm
Subject to technical alterations

Hoshizaki Europe B.V.
Headquarters Export EMEA
Burgemeester Stramanweg 101
1101 AA Amsterdam
The Netherlands

sales@hoshizaki.nl
Tel. +31 (0)20 6918499

Please visit our website for further information:
www.hoshizaki-europe.com

