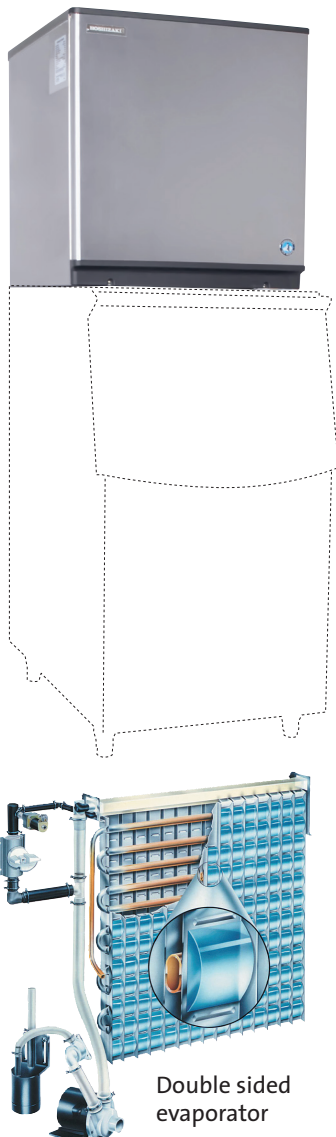




HOSHIZAKI



KMD-270/AA/AWA CRESCENT ICE MAKER

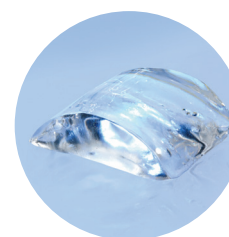
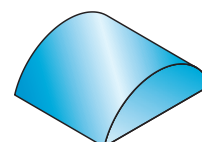


Double sided evaporator

Product Description

The KMD-270AA (air cooled) and KMD-270AWA (water cooled) are modular ice makers which produce hard, clear, crescent shaped cubes.

- Versatile ice shape used in diverse applications such as splash-free serving of post mix soft drinks, fish transportation, display and even laser therapy.
- Individual premium crescent cube with no ice bridging.
- Exceptionally hard crystal clear cubes that melt slowly.
- CycleSaver® design allows KM machines to produce more ice, using less energy, while cycling 1/2 as many times as the competition.
- Includes a double-sided stainless steel evaporator, which requires fewer cycles to produce a full bin of ice, thereby reducing energy consumption.
- Slide in air filter for easy cleaning - maintaining performance efficiency (air-cooled only).
- Cold and wet areas are insulated and separated from electrical and heat producing components. These design features improve the reliability, sanitation and reduce maintenance and service cost.



Ice Type: Crescent
Size: 30 x 37 x 13 mm

Available Models

Model	Air Cooled	Water Cooled
KMD-270AA	•	
KMD-270AWA		•

Bins

Model	Corresponding Bins
KMD-270AA - Modular Type	B-801SA
KMD-270AWA - Modular Type	B-801SA

Production

Model	Ice Production per 24h (Approx.)			Temperature	Ice Production per Cycle (Approx.)	Water Consumption per 24h (Approx.)		
	265kg	248kg	221kg			1.00m³	0.54m³	0.33m³
KMD-270AA	265kg	248kg	221kg	AT.10°C, WT.10°C	5.7kg / 624pcs	1.00m³	0.54m³	0.33m³
KMD-270AWA	265kg	247kg	236kg	AT.21°C, WT.15°C				
				AT.32°C, WT.21°C	5.7kg / 624pcs	0.85m³	0.44m³	0.36m³

For more information visit our website
www.hoshizaki-europe.com

Hoshizaki Europe B.V. retains the right to change products and their specifications without prior notice.

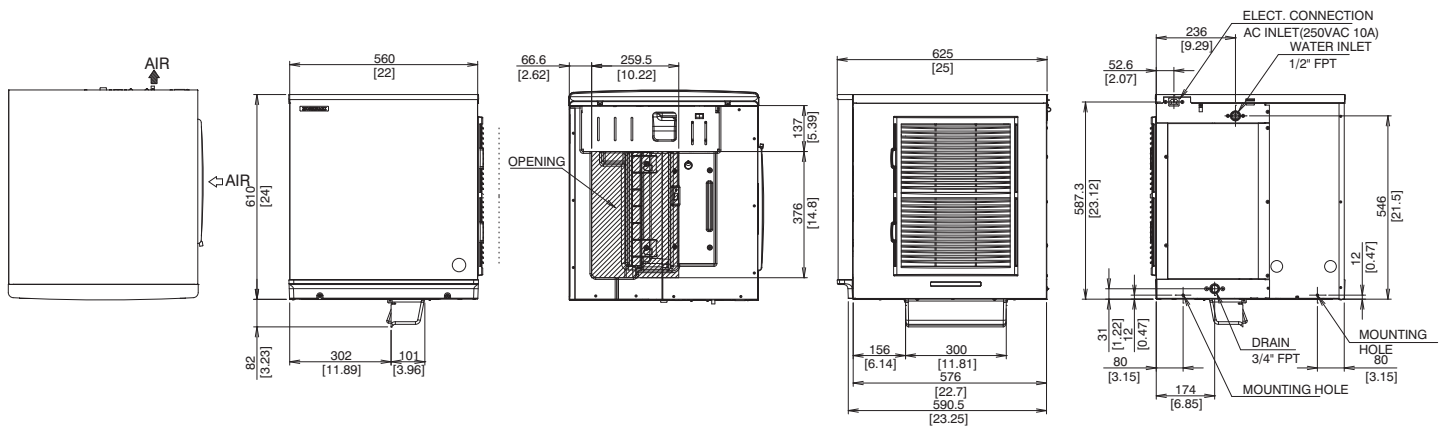




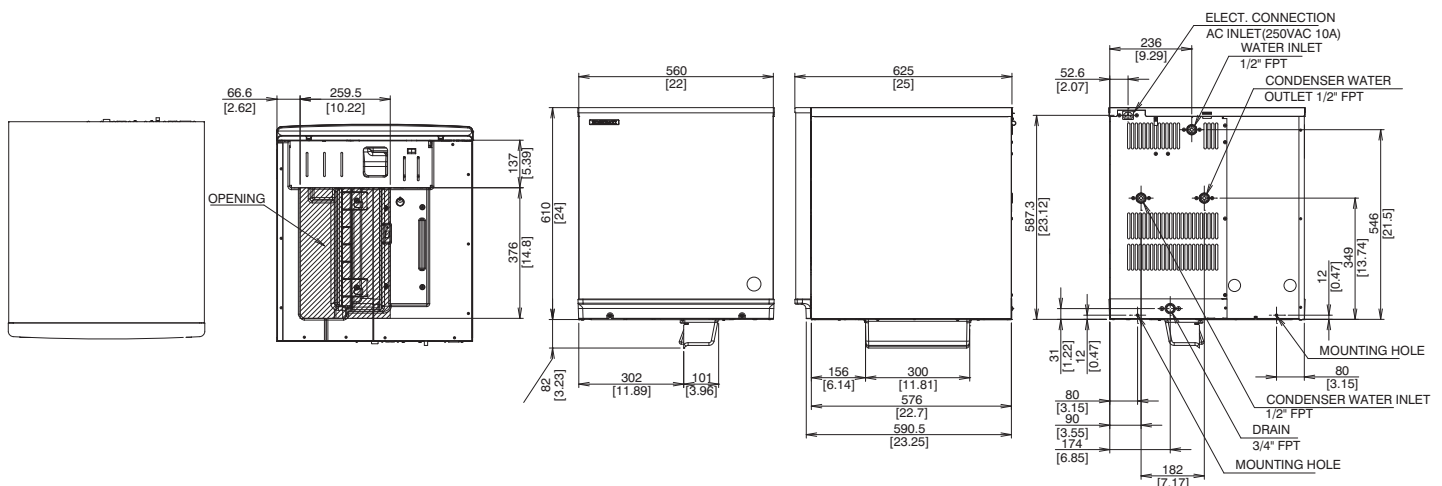
HOSHIZAKI

KMD-270/AA/AWA CRESCENT ICE MAKER

KMD-270AA



KMD-270AWA



Specifications

Specification	KMD-270AA	KMD-270AWA
AC Supply Voltage	1 Phase 220 - 240V / 50Hz	
Electric Consumption (AT.32°C, WT.21°C)	1030W	917W
Insulation Foam Blowing Agent	Cyclopentane/CFC Free/ODP:0/GWP:3	
Refrigerant Charge	R404A	R404A

Full CAD specification drawings available on website

Operation Requirements

- Ambient Temperature: 7 - 40°C
- Water Supply Temperature: 7 - 35°C
- Water Supply Pressure: 0,7 - 7,8 bar (0,07 - 0,78MPa)
- Voltage Range: 198 - 254V

Accessories

Instruction Manual, Universal Brace, Bolt(2)
 Power Cord-SE type plug(-C101),
 BF type plug(-C111), o type plug(-C121),
 83 type plug(-C131)

For more information please contact your local sales office:

Hoshizaki Belgium:
 Hoshizaki Deutschland:
 Hoshizaki France:
 Hoshizaki Iberia:
 Hoshizaki Middle East:

info@hoshizaki.be
 info@hoshizaki.de
 info@hoshizaki.fr
 info@hoshizaki.es
 info@hoshizaki.ae

Hoshizaki Nederland:
 Hoshizaki United Kingdom:
 Other countries:

sales@hoshizaki.nl
 uksales@hoshizaki.co.uk
 sales@hoshizaki.nl

www.hoshizaki-europe.com